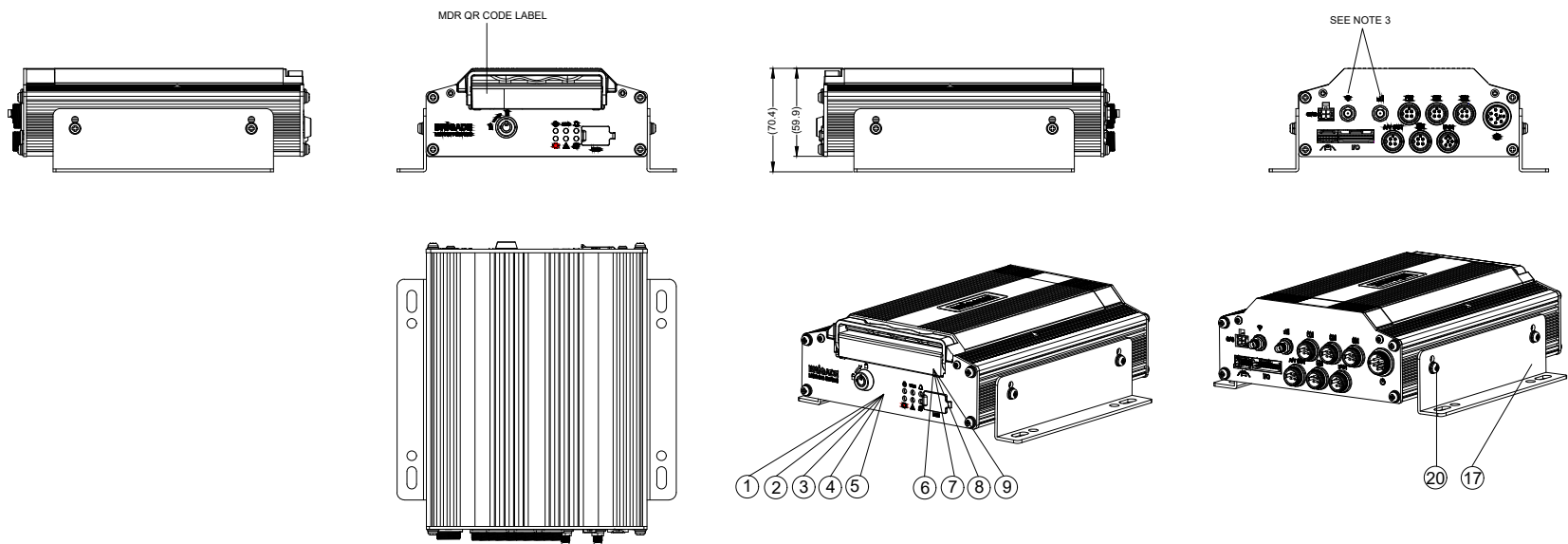
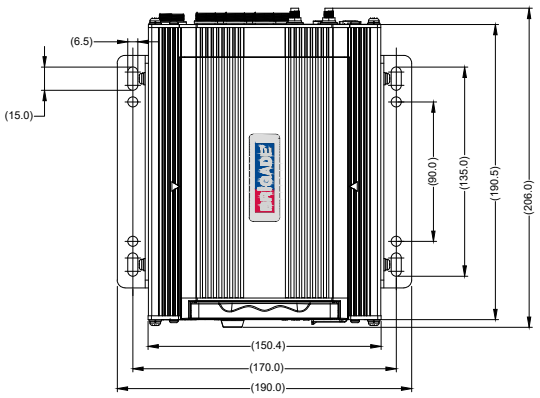


Revision Notes.				
R1 - FW AND MCU VERSION UPDATED AS PER CR-A997				
APA: P. BU	Drawn: S. ZHANG	Checked: F. ADEMUJIMI	Approved: A. KEBEDE	Date: 16/08/2023
R2 - FW VERSION UPDATED AND CONFIG FILE NEWLY ADDED AS PER P1684.				
APA: K. JIANG	Drawn: S. ZHANG	Checked: F. ADEMUJIMI	Approved: R. PENTLEY	Date: 15/11/2024
R3 - FW VERSION AND CONFIG FILE UPDATED AS PER CR-A1166 (P1778)				
APA: J. LIU	Drawn: P. BU	Checked: E. MATHEW	Approved: S. ZHANG	Date: 18/11/2025



- NOTES:**
1. REFERENCE INSTRUCTION MANUAL FOR FUNCTIONALITY.
 2. ANY CUSTOMER MODIFICATION OF THIS PRODUCT CAUSING SUBSEQUENT FAILURE IS NOT A LIABILITY OF BRIGADE ELECTRONICS GROUP PLC.
 3. MOBILE NETWORK AND WIFI CAPABILITIES DEPEND ON MODEL AND AVAILABILITY.
 4. FIXING SCREWS SUPPLIED IN CLEAR PLASTIC BAG.
 5. VARIOUS SYSTEM OPTIONS A TO T CONTAIN RELEVANT COMPONENTS.
 6. REFER TO COMPONENT DRAWINGS FOR DETAILED COMPONENT INFORMATION.
 7. FOR ALL LABELS AND PACKAGING REFER TO MASTER BOM.
 8. PART DESCRIPTIONS CONTAINING "*" ARE FOUND WITHIN THE CONTROL UNIT. REFER TO MASTER BOM FOR DETAILS.

PROPRIETARY NOTICE
 THIS DESIGN AND TECHNICAL INFORMATION APPEARING ON THIS DRAWING IS THE PROPERTY OF BRIGADE ELECTRONICS, AND IS DISCLOSED IN CONFIDENCE. IT IS NOT TO BE COPIED, REPRODUCED, REVEALED TO OR EXPROPRIATED BY OTHERS, EITHER IN WHOLE OR IN PART WITHOUT THE EXPRESS WRITTEN CONSENT OF BRIGADE ELECTRONICS.

Sheet 1 of 5	Assembly PI Approval P.BU	Approved by A. KEBEDE	Checked by L.CHEUNG	Released 21/07/22	Drawn by F. ADEMUJIMI
Customer Approval N/A	Angle of Projection 	Units mm	Scale N/A	Released 21/07/22	Assembly Ref -
 brigade-electronics.com		Status RELEASED	MDR-641XX-XXX-XXX		
		Part No VARIOUS	BE-004614-03-21		

Revision Notes.				
R1 - FW AND MCU VERSION UPDATED AS PER CR-A997				
APA: P.BU	Drawn:S. ZHANG	Checked:F. ADEMUJIMI	Approved:A. KEBEDE	Date: 16/08/2023
R2 - FW VERSION UPDATED AND CONFIG FILE NEWLY ADDED AS PER P1684.				
APA: K. JIANG	Drawn:S. ZHANG	Checked:F. ADEMUJIMI	Approved:R. PENTLEY	Date: 15/11/2024
R3 - FW VERSION AND CONFIG FILE UPDATED AS PER CR-A1166 (P1778)				
APA: J. LIU	Drawn:P. BU	Checked:E. MATHEW	Approved:S. ZHANG	Date: 18/11/2025

ITEM	PART NUMBER	QTY	MODEL NUMBER	DESCRIPTION	CONFIG FILE	MCU VERSION	FIRMWARE VERSION
(A)	7063	1	MDR-641-0.5-CMR	MDR-600 4 ANALOGUE CHANNELS, 1 IP CHANNEL, 500GB CMR	MDR 641 EU CONFIG FILES - 061125	T23011001	RC25102060
(B)	7064	1	MDR-641G-0.5-CMR	MDR-600 4G, 4 ANALOGUE CHANNELS, 1 IP CHANNEL, 500GB CMR			
(C)	7065	1	MDR-641GW-0.5-CMR	MDR-600 4G & WIFI, 4 ANALOGUE CHANNELS, 1 IP CHANNEL, 500GB CMR			
(D)	7068	1	MDR-641-1-CMR	MDR-600 4 ANALOGUE CHANNELS, 1 IP CHANNEL, 1TB CMR			
(E)	7069	1	MDR-641G-1-CMR	MDR-600 4G, 4 ANALOGUE CHANNELS, 1 IP CHANNEL, 1TB CMR			
(F)	7070	1	MDR-641GW-1-CMR	MDR-600 4G & WIFI, 4 ANALOGUE CHANNELS, 1 IP CHANNEL, 1TB CMR			
(G)	7073	1	MDR-641-1-SSD	MDR-600 4 ANALOGUE CHANNELS, 1 IP CHANNEL, 1TB SSD			
(H)	7074	1	MDR-641G-1-SSD	MDR-600 4G, 4 ANALOGUE CHANNELS, 1 IP CHANNEL, 1TB SSD			
(I)	7075	1	MDR-641GW-1-SSD	MDR-600 4G & WIFI, 4 ANALOGUE CHANNELS, 1 IP CHANNEL, 1TB SSD			
(J)	7078	1	MDR-641-2-SSD	MDR-600 4 ANALOGUE CHANNELS, 1 IP CHANNEL, 2TB SSD			
(K)	7079	1	MDR-641G-2-SSD	MDR-600 4G, 4 ANALOGUE CHANNELS, 1 IP CHANNEL, 2TB SSD	MDR 641 NA CONFIG FILES - 061125		
(L)	7080	1	MDR-641GW-2-SSD	MDR-600 4G & WIFI, 4 ANALOGUE CHANNELS, 1 IP CHANNEL, 2TB SSD			
(M)	7066	1	MDR-641G-0.5-CMR(NA)	MDR-600 4G, 4 ANALOGUE CHANNELS, 1 IP CHANNEL, 500GB CMR - NA			
(N)	7067	1	MDR-641GW-0.5-CMR(NA)	MDR-600 4G & WIFI, 4 ANALOGUE CHANNELS, 1 IP CHANNEL, 500GB CMR - NA			
(O)	7071	1	MDR-641G-1-CMR(NA)	MDR-600 4G, 4 ANALOGUE CHANNELS, 1 IP CHANNEL, 1TB CMR - NA			
(P)	7072	1	MDR-641GW-1-CMR(NA)	MDR-600 4G & WIFI, 4 ANALOGUE CHANNELS, 1 IP CHANNEL, 1TB CMR - NA			
(Q)	7076	1	MDR-641G-1-SSD(NA)	MDR-600 4G, 4 ANALOGUE CHANNELS, 1 IP CHANNEL, 1TB SSD - NA			
(R)	7077	1	MDR-641GW-1-SSD(NA)	MDR-600 4G & WIFI, 4 ANALOGUE CHANNELS, 1 IP CHANNEL, 1TB SSD - NA			
(S)	7081	1	MDR-641G-2-SSD(NA)	MDR-600 4G, 4 ANALOGUE CHANNELS, 1 IP CHANNEL, 2TB SSD - NA			
(T)	7082	1	MDR-641GW-2-SSD(NA)	MDR-600 4G & WIFI, 4 ANALOGUE CHANNELS, 1 IP CHANNEL, 2TB SSD - NA			



- NOTES:
1. REFERENCE INSTRUCTION MANUAL FOR FUNCTIONALITY.
 2. ANY CUSTOMER MODIFICATION OF THIS PRODUCT CAUSING SUBSEQUENT FAILURE IS NOT A LIABILITY OF BRIGADE ELECTRONICS GROUP PLC.
 3. MOBILE NETWORK AND WIFI CAPABILITIES DEPEND ON MODEL AND AVAILABILITY.
 4. FIXING SCREWS SUPPLIED IN CLEAR PLASTIC BAG.
 5. VARIOUS SYSTEM OPTIONS A TO T CONTAIN RELEVANT COMPONENTS.
 6. REFER TO COMPONENT DRAWINGS FOR DETAILED COMPONENT INFORMATION.
 7. FOR ALL LABELS AND PACKAGING REFER TO MASTER BOM.
 8. PART DESCRIPTIONS CONTAINING "*" ARE FOUND WITHIN THE CONTROL UNIT. REFER TO MASTER BOM FOR DETAILS.

PROPRIETARY NOTICE

THIS DESIGN AND TECHNICAL INFORMATION APPEARING ON THIS DRAWING IS THE PROPERTY OF BRIGADE ELECTRONICS, AND IS DISCLOSED IN CONFIDENCE. IT IS NOT TO BE COPIED, REPRODUCED, REVEALED TO OR EXPROPRIATED BY OTHERS, EITHER IN WHOLE OR IN PART WITHOUT THE EXPRESS WRITTEN CONSENT OF BRIGADE ELECTRONICS.

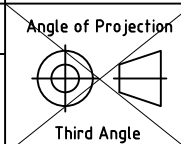

Sheet 2 of 5	Assembly Pl Approval P.BU	Approved by A. KEBEDE	Checked by L.CHEUNG	Released 21/07/22	Drawn by F. ADEMUJIMI
Customer Approval N/A	 Angle of Projection Third Angle	Units mm	Scale N/A	Status RELEASED	Assembly Ref -
		Part No VARIOUS	MDR-641XX-XXX-XXX		
 brigade-electronics.com		BE-004614-03-21			

Revision Notes.				
R1 - FW AND MCU VERSION UPDATED AS PER CR-A997				
APA: P.BU	Drawn:S. ZHANG	Checked:F. ADEMUJIMI	Approved:A. KEBEDE	Date: 16/08/2023
R2 - FW VERSION UPDATED AND CONFIG FILE NEWLY ADDED AS PER P1684.				
APA: K. JIANG	Drawn:S. ZHANG	Checked:F. ADEMUJIMI	Approved:R. PENTLEY	Date: 15/11/2024
R3 - FW VERSION AND CONFIG FILE UPDATED AS PER CR-A1166 (P1778)				
APA: J. LIU	Drawn:P. BU	Checked:E. MATHEW	Approved:S. ZHANG	Date: 18/11/2025

ITEM	①	②	③	④	⑤	⑥	⑦
DESCRIPTION	MDR 600 4 ANALOGUE CHANNELS, 1 IP CHANNEL DOCKING STATION *	MDR 600 4 ANALOGUE CHANNELS, 1 IP CHANNEL DOCKING STATION WITH 4G *	MDR 600 4 ANALOGUE CHANNELS, 1 IP CHANNEL DOCKING STATION WITH 4G & WIFI *	MDR 600 4 ANALOGUE CHANNELS, 1 IP CHANNEL DOCKING STATION WITH 4G - NA *	MDR 600 4 ANALOGUE CHANNELS, 1 IP CHANNEL DOCKING STATION WITH 4G & WIFI - NA *	MDR-641 CADDY UNIT, 500GB HDD CMR *	MDR-641 CADDY UNIT, 1TB HDD CMR *
MODEL NUMBER	MDR-641-DS	MDR-641G-DS	MDR-641GW-DS	MDR-641G-DS(NA)	MDR-641GW-DS(N A)	MDR-641-0.5-MCU-CMR	MDR-641-1-MCU-CMR
PART NUMBER	7115	7116	7117	7118	7119	7055	7060
MDR-641-0.5-CMR QTY	1	-	-	-	-	1	-
MDR-641G-0.5-CMR QTY	-	1	-	-	-	1	-
MDR-641GW-0.5-CMR QTY	-	-	1	-	-	1	-
MDR-641G-0.5-CMR(NA) QTY	-	-	-	1	-	1	-
MDR-641GW-0.5-CMR(NA) QTY	-	-	-	-	1	1	-
MDR-641-1-CMR QTY	1	-	-	-	-	-	1
MDR-641G-1-CMR QTY	-	1	-	-	-	-	1
MDR-641GW-1-CMR QTY	-	-	1	-	-	-	1
MDR-641G-1-CMR(NA) QTY	-	-	-	1	-	-	1
MDR-641GW-1-CMR(NA) QTY	-	-	-	-	1	-	1
MDR-641-1-SSD QTY	1	-	-	-	-	-	-
MDR-641G-1-SSD QTY	-	1	-	-	-	-	-
MDR-641GW-1-SSD QTY	-	-	1	-	-	-	-
MDR-641G-1-SSD(NA) QTY	-	-	-	1	-	-	-
MDR-641GW-1-SSD(NA) QTY	-	-	-	-	1	-	-
MDR-641-2-SSD QTY	1	-	-	-	-	-	-
MDR-641G-2-SSD QTY	-	1	-	-	-	-	-
MDR-641GW-2-SSD QTY	-	-	1	-	-	-	-
MDR-641G-2-SSD(NA) QTY	-	-	-	1	-	-	-
MDR-641GW-2-SSD(NA) QTY	-	-	-	-	1	-	-

- NOTES:
1. REFERENCE INSTRUCTION MANUAL FOR FUNCTIONALITY.
 2. ANY CUSTOMER MODIFICATION OF THIS PRODUCT CAUSING SUBSEQUENT FAILURE IS NOT A LIABILITY OF BRIGADE ELECTRONICS GROUP PLC.
 3. MOBILE NETWORK AND WIFI CAPABILITIES DEPEND ON MODEL AND AVAILABILITY.
 4. FIXING SCREWS SUPPLIED IN CLEAR PLASTIC BAG.
 5. VARIOUS SYSTEM OPTIONS A TO T CONTAIN RELEVANT COMPONENTS.
 6. REFER TO COMPONENT DRAWINGS FOR DETAILED COMPONENT INFORMATION.
 7. FOR ALL LABELS AND PACKAGING REFER TO MASTER BOM.
 8. PART DESCRIPTIONS CONTAINING "*" ARE FOUND WITHIN THE CONTROL UNIT. REFER TO MASTER BOM FOR DETAILS.

PROPRIETARY NOTICE
 THIS DESIGN AND TECHNICAL INFORMATION APPEARING ON THIS DRAWING IS THE PROPERTY OF BRIGADE ELECTRONICS, AND IS DISCLOSED IN CONFIDENCE. IT IS NOT TO BE COPIED, REPRODUCED, REVEALED TO OR EXPROPRIATED BY OTHERS, EITHER IN WHOLE OR IN PART WITHOUT THE EXPRESS WRITTEN CONSENT OF BRIGADE ELECTRONICS.

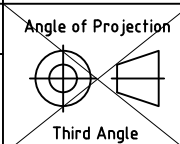

Sheet 3 of 5	Assembly Pl Approval P.BU	Approved by A. KEBEDE	Checked by L.CHEUNG	Drawn by F. ADEMUJIMI	
Customer Approval N/A	 Angle of Projection Third Angle	Units mm	Scale N/A	Released 21/07/22	Assembly Ref -
 brigade-electronics.com		Status RELEASED	MDR-641XX-XXX-XXX		
		Part No VARIOUS	BE-004614-03-21		

Revision Notes.				
R1 - FW AND MCU VERSION UPDATED AS PER CR-A997				
APA: P.BU	Drawn:S. ZHANG	Checked:F. ADEMUJIMI	Approved:A. KEBEDE	Date: 16/08/2023
R2 - FW VERSION UPDATED AND CONFIG FILE NEWLY ADDED AS PER P1684.				
APA: K. JIANG	Drawn:S. ZHANG	Checked:F. ADEMUJIMI	Approved:R. PENTLEY	Date: 15/11/2024
R3 - FW VERSION AND CONFIG FILE UPDATED AS PER CR-A1166 (P1778)				
APA: J. LIU	Drawn:P. BU	Checked:E. MATHEW	Approved:S. ZHANG	Date: 18/11/2025

ITEM	⑧	⑨	⑩	⑪	⑫	⑬	⑭	⑮
DESCRIPTION	MDR-641 CADDY UNIT, 1TB SSD *	MDR-641 CADDY UNIT, 2TB SSD *	MDR INPUT / OUTPUT CABLE (NOT SHOWN)	MDR POWER CABLE (NOT SHOWN)	CMS ADAPTER CABLE SELECT FEMALE TO FEMALE (NOT SHOWN)	MDR GPS ANTENNA (NOT SHOWN)	MDR MOBILE NETWORK ANTENNA (NOT SHOWN)	MDR WI-FI ANTENNA (NOT SHOWN)
MODEL NUMBER	MDR-641-1-MCU-SSD	MDR-641-2-MCU-SSD	MDR-IO-03	MDR-PWR-02	AC-075	MDR-ANT-GPS-03	MDR-ANT-MOB-01	MDR-ANT-WIFI-01
PART NUMBER	7061	7062	7050	7049	7020	6624	4989	4990
MDR-641-0.5-CMR QTY	-	-	1	1	1	1	-	-
MDR-641G-0.5-CMR QTY	-	-	1	1	1	1	1	-
MDR-641GW-0.5-CMR QTY	-	-	1	1	1	1	1	1
MDR-641G-0.5-CMR(NA) QTY	-	-	1	1	1	1	1	-
MDR-641GW-0.5-CMR(NA) QTY	-	-	1	1	1	1	1	1
MDR-641-1-CMR QTY	-	-	1	1	1	1	-	-
MDR-641G-1-CMR QTY	-	-	1	1	1	1	1	-
MDR-641GW-1-CMR QTY	-	-	1	1	1	1	1	1
MDR-641G-1-CMR(NA) QTY	-	-	1	1	1	1	1	-
MDR-641GW-1-CMR(NA) QTY	-	-	1	1	1	1	1	1
MDR-641-1-SSD QTY	1	-	1	1	1	1	-	-
MDR-641G-1-SSD QTY	1	-	1	1	1	1	1	-
MDR-641GW-1-SSD QTY	1	-	1	1	1	1	1	1
MDR-641G-1-SSD(NA) QTY	1	-	1	1	1	1	1	-
MDR-641GW-1-SSD(NA) QTY	1	-	1	1	1	1	1	1
MDR-641-2-SSD QTY	-	1	1	1	1	1	-	-
MDR-641G-2-SSD QTY	-	1	1	1	1	1	1	-
MDR-641GW-2-SSD QTY	-	1	1	1	1	1	1	1
MDR-641G-2-SSD(NA) QTY	-	1	1	1	1	1	1	-
MDR-641GW-2-SSD(NA) QTY	-	1	1	1	1	1	1	1

- NOTES:
1. REFERENCE INSTRUCTION MANUAL FOR FUNCTIONALITY.
 2. ANY CUSTOMER MODIFICATION OF THIS PRODUCT CAUSING SUBSEQUENT FAILURE IS NOT A LIABILITY OF BRIGADE ELECTRONICS GROUP PLC.
 3. MOBILE NETWORK AND WIFI CAPABILITIES DEPEND ON MODEL AND AVAILABILITY.
 4. FIXING SCREWS SUPPLIED IN CLEAR PLASTIC BAG.
 5. VARIOUS SYSTEM OPTIONS A TO T CONTAIN RELEVANT COMPONENTS.
 6. REFER TO COMPONENT DRAWINGS FOR DETAILED COMPONENT INFORMATION.
 7. FOR ALL LABELS AND PACKAGING REFER TO MASTER BOM.
 8. PART DESCRIPTIONS CONTAINING "*" ARE FOUND WITHIN THE CONTROL UNIT. REFER TO MASTER BOM FOR DETAILS.

PROPRIETARY NOTICE
 THIS DESIGN AND TECHNICAL INFORMATION APPEARING ON THIS DRAWING IS THE PROPERTY OF BRIGADE ELECTRONICS, AND IS DISCLOSED IN CONFIDENCE. IT IS NOT TO BE COPIED, REPRODUCED, REVEALED TO OR EXPROPRIATED BY OTHERS, EITHER IN WHOLE OR IN PART WITHOUT THE EXPRESS WRITTEN CONSENT OF BRIGADE ELECTRONICS.

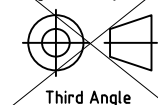
Sheet 4 of 5	Assembly Pl Approval P.BU	Approved by A. KEBEDE	Checked by L.CHEUNG	Drawn by F. ADEMUJIMI	
Customer Approval N/A	 Angle of Projection Third Angle	Units mm	Scale N/A	Released 21/07/22	Assembly Ref -
 brigade-electronics.com		Status RELEASED	MDR-641XX-XXX-XXX		
		Part No VARIOUS	BE-004614-03-21		

Revision Notes.				
R1 - FW AND MCU VERSION UPDATED AS PER CR-A997				
APA: P. BU	Drawn:S. ZHANG	Checked:F. ADEMUJIMI	Approved:A. KEBEDE	Date: 16/08/2023
R2 - FW VERSION UPDATED AND CONFIG FILE NEWLY ADDED AS PER P1684.				
APA: K. JIANG	Drawn:S. ZHANG	Checked:F. ADEMUJIMI	Approved:R. PENTLEY	Date: 15/11/2024
R3 - FW VERSION AND CONFIG FILE UPDATED AS PER CR-A1166 (P1778)				
APA: J. LIU	Drawn:P. BU	Checked:E. MATHEW	Approved:S. ZHANG	Date: 18/11/2025

ITEM	⑩	⑪	⑫	⑬	⑭	⑮
DESCRIPTION	SECURITY KEY (NOT SHOWN)	2 x MDR BRACKETS	MDR MOUSE (NOT SHOWN)	ENGLISH INSTALLATION GUIDE (NOT SHOWN)	4 x FIXINGS FOR MDR BRACKETS	VEHICLE WARNING STICKER (NOT SHOWN)
MODEL NUMBER	MDR-KEY-01	MDR-BKT-02	MDR-MOUSE-01	MDR-600-SIG-EN	MDR-BKT-FIX-02	MDR-VWS
PART NUMBER	4891	7052	5250	7046B	7121	5252
MDR-641-0.5-CMR QTY	1	1	1	1	1	1
MDR-641G-0.5-CMR QTY	1	1	1	1	1	1
MDR-641GW-0.5-CMR QTY	1	1	1	1	1	1
MDR-641G-0.5-CMR(NA) QTY	1	1	1	1	1	1
MDR-641GW-0.5-CMR(NA) QTY	1	1	1	1	1	1
MDR-641-1-CMR QTY	1	1	1	1	1	1
MDR-641G-1-CMR QTY	1	1	1	1	1	1
MDR-641GW-1-CMR QTY	1	1	1	1	1	1
MDR-641G-1-CMR(NA) QTY	1	1	1	1	1	1
MDR-641GW-1-CMR(NA) QTY	1	1	1	1	1	1
MDR-641-1-SSD QTY	1	1	1	1	1	1
MDR-641G-1-SSD QTY	1	1	1	1	1	1
MDR-641GW-1-SSD QTY	1	1	1	1	1	1
MDR-641G-1-SSD(NA) QTY	1	1	1	1	1	1
MDR-641GW-1-SSD(NA) QTY	1	1	1	1	1	1
MDR-641-2-SSD QTY	1	1	1	1	1	1
MDR-641G-2-SSD QTY	1	1	1	1	1	1
MDR-641GW-2-SSD QTY	1	1	1	1	1	1
MDR-641G-2-SSD(NA) QTY	1	1	1	1	1	1
MDR-641GW-2-SSD(NA) QTY	1	1	1	1	1	1

- NOTES:
1. REFERENCE INSTRUCTION MANUAL FOR FUNCTIONALITY.
 2. ANY CUSTOMER MODIFICATION OF THIS PRODUCT CAUSING SUBSEQUENT FAILURE IS NOT A LIABILITY OF BRIGADE ELECTRONICS GROUP PLC.
 3. MOBILE NETWORK AND WIFI CAPABILITIES DEPEND ON MODEL AND AVAILABILITY.
 4. FIXING SCREWS SUPPLIED IN CLEAR PLASTIC BAG.
 5. VARIOUS SYSTEM OPTIONS A TO T CONTAIN RELEVANT COMPONENTS.
 6. REFER TO COMPONENT DRAWINGS FOR DETAILED COMPONENT INFORMATION.
 7. FOR ALL LABELS AND PACKAGING REFER TO MASTER BOM.
 8. PART DESCRIPTIONS CONTAINING "*" ARE FOUND WITHIN THE CONTROL UNIT. REFER TO MASTER BOM FOR DETAILS.

PROPRIETARY NOTICE
 THIS DESIGN AND TECHNICAL INFORMATION APPEARING ON THIS DRAWING IS THE PROPERTY OF BRIGADE ELECTRONICS, AND IS DISCLOSED IN CONFIDENCE. IT IS NOT TO BE COPIED, REPRODUCED, REVEALED TO OR EXPROPRIATED BY OTHERS, EITHER IN WHOLE OR IN PART WITHOUT THE EXPRESS WRITTEN CONSENT OF BRIGADE ELECTRONICS.

Sheet 5 of 5	Assembly Pl Approval P.BU	Approved by A. KEBEDE	Checked by L.CHEUNG	Released 21/07/22	Drawn by F. ADEMUJIMI
Customer Approval N/A	Angle of Projection 	Units mm	Scale N/A	Assembly Ref -	Status RELEASED
Brigade brigade-electronics.com		Part No VARIOUS		MDR-641XX-XXX-XXX BE-004614-03-21	